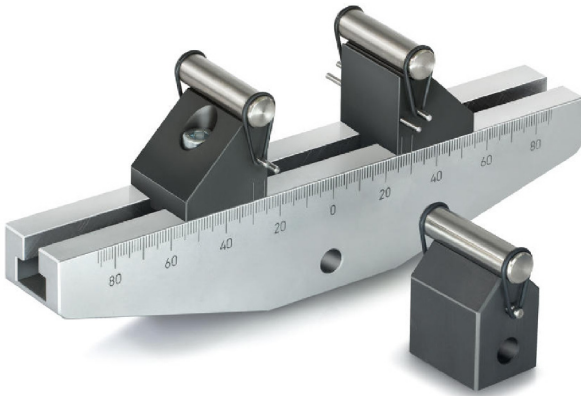


# KERN AD9310

Kleine 3-Punkt Biegevorrichtung (Stahl) bis 10 kN

**KERN**<sup>®</sup>



## Category

Category: Accessories

## Packaging & shipping

Delivery:	24 h
Dimensions packaging (WxDxH):	1 x 1 x 1 mm
Gross weight:	2 g
Net weight:	1 g
Shipping method:	Parcel service